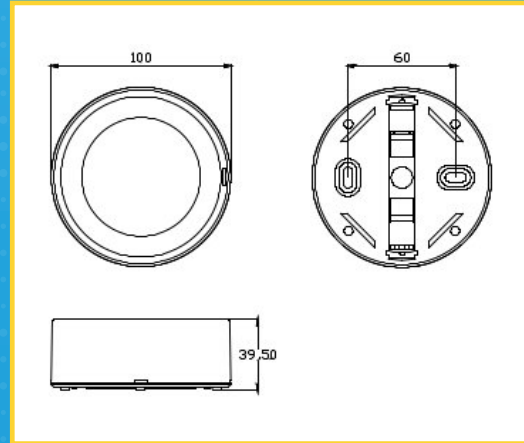


## Spazio Luz



### Main characteristics

**Supply:** 230V 50Hz<120mA

**Maintained mode consumption:** - W

**Non-maintained mode consumption:** 2.2 W

**Working temperature:** 0-40°C

**Emergency lamp:** 12xLED 0.5W

**Emergency lumen output:** 500 lm

**Maintained lumen output:** - lm

**Battery:** 2x(3.2V-1.5Ah LFP)

**Class:** II

**Mode:** Non maintained

**Power factor:** -

**LED temperature:** 4000°K

**Duration:** 1 h

**Remote control :** Yes

**Charging time :** 12 h